

The Ultimate Energy Bar Making Machine Guide to 2024

Introducción detallada :

Introduction to Energy Bar Making Machines

Key Features of Modern Energy Bar Machines

Benefits of Using Energy Bar Making Equipment

Top Energy Bar Machine Manufacturers 2024

Energy Bar Machine Operation and Maintenance

Cost Analysis of Energy Bar Making Machines

Innovations in Energy Bar Production Technology

How to Choose the Right Energy Bar Machine

Optimizing Production with Energy Bar Machines

Future Trends in Energy Bar Manufacturing Equipment

Reference

Introduction to Energy Bar Making Machines

[Energy bar making machines](#) have revolutionized the food processing industry, providing efficient and consistent production of high-quality energy bars. These machines cater to the growing demand for healthy, convenient snacks that fuel active lifestyles. As technology advances, the capabilities of energy bar making machines continue to expand, offering improved precision, speed, and versatility. In the competitive landscape of the food industry, investing in a top-tier [energy bar making machine](#) can be a game-changer for manufacturers. These machines are designed to handle various ingredients, ensuring that each bar is mixed, formed, and packaged to perfection. With the ability to produce large quantities in a short period, energy bar making machines help businesses meet market demands while maintaining product consistency and quality.

The market for energy bar making machines is diverse, with options ranging from compact models suitable for small-scale operations to fully automated systems for large-scale production. Understanding the key features and benefits of these machines is crucial for making an informed investment that aligns with your production needs and business goals.



Key Features of Modern Energy Bar Machines

| Feature | Description |
|---------------------|--|
| Automation Level | Modern energy bar making machines offer various levels of automation, ranging from semi-automatic to fully automatic systems, enhancing efficiency and reducing labor costs. |
| Versatility | These machines can handle a wide range of ingredients, including nuts, fruits, seeds, and various binding agents, allowing for diverse recipe formulations. |
| Production Capacity | Advanced models are capable of producing thousands of bars per hour, making them suitable for both small and large-scale production environments. |
| Precision | Equipped with sophisticated control systems, these machines ensure precise mixing, shaping, and cutting of energy bars, maintaining uniformity and consistency. |
| Ease of Use | User-friendly interfaces and easy-to-clean designs make these machines accessible to operators with varying levels of technical expertise. |
| Durability | Constructed with high-quality materials, energy bar making machines are designed to withstand the rigors of continuous operation in industrial settings. |

| | |
|--------------------------|--|
| Customization | Many machines offer customizable settings to accommodate different shapes, and formulations, providing flexibility in product offering. |
| Energy Efficiency | Energy-efficient designs reduce operational costs and minimize environmental impact, aligning with sustainable production practices. |
| Safety Features | Modern machines are equipped with advanced safety mechanisms to protect operators and ensure safe operation in compliance with industry standards. |
| Maintenance Requirements | Designed for easy maintenance, these machines typically feature modular components that can be quickly replaced or serviced, minimizing downtime. |



Benefits of Using Energy Bar Making Equipment

Using an Energy Bar Making Machine offers numerous advantages for food manufacturers. First, these machines significantly enhance production efficiency. With automated processes, the production line can run continuously, reducing the time and labor required compared to manual methods. This increase in efficiency directly translates to higher output and the ability to meet growing market demands.

Secondly, the consistency in product quality is another critical benefit. Energy Bar Making Machines are designed to produce bars with uniform size, shape, and texture. This uniformity ensures that each bar meets the exact specifications, leading to higher customer satisfaction and brand reliability. Consistent quality also reduces wastage and ensures that the ingredients are utilized optimally.

Thirdly, the flexibility of Energy Bar Making Machines is a notable advantage. These machines handle various ingredients and recipes, allowing manufacturers to produce different types of energy bars, including those with specific nutritional profiles or dietary requirements. This versatility enables companies to expand their product range and cater to diverse consumer preferences.

Lastly, Energy Bar Making Machines contribute to cost savings. By automating the production process, manufacturers can reduce labor costs and minimize human error. Additionally, the precision of these machines ensures that ingredients are used efficiently, reducing raw material waste. Over time, these cost savings can significantly impact the profitability of energy bar production.



Top Energy Bar Machine Manufacturers 2024

Choosing the right Energy Bar Making Machine from a reputable manufacturer is crucial for reliable and efficient production. In 2024, several manufacturers stand out in the industry due to their innovative designs and high-quality machines.

Firstly, ABC Machinery is renowned for its advanced technology and reliable equipment. Their Energy Bar Making Machines are known for their robust construction, precision, and ease of operation. ABC Machinery's commitment to continuous improvement and customer support makes them a top choice for many manufacturers.

Secondly, XYZ Food Equipment has established a strong reputation for its versatile and high-performance machines. Their Energy Bar Making Machines are designed to handle a wide range of ingredients and recipes, making them ideal for manufacturers looking to diversify their product

XYZ Food Equipment also offers comprehensive training and maintenance services, ensuring operation and minimal downtime.

Thirdly, PQR Manufacturing is a leader in the industry, known for its innovative approach and cutting-edge technology. Their Energy Bar Making Machines incorporate the latest advancements to maximize efficiency and product quality. PQR Manufacturing's focus on sustainability and energy efficiency also aligns with the growing demand for eco-friendly production practices.

Lastly, LMN Industries offers highly customizable Energy Bar Making Machines tailored to specific production needs. Their machines are designed for ease of use and maintenance, with a strong emphasis on durability and long-term performance. LMN Industries' commitment to customer satisfaction and technical support further solidifies their position as a top manufacturer in 2023.



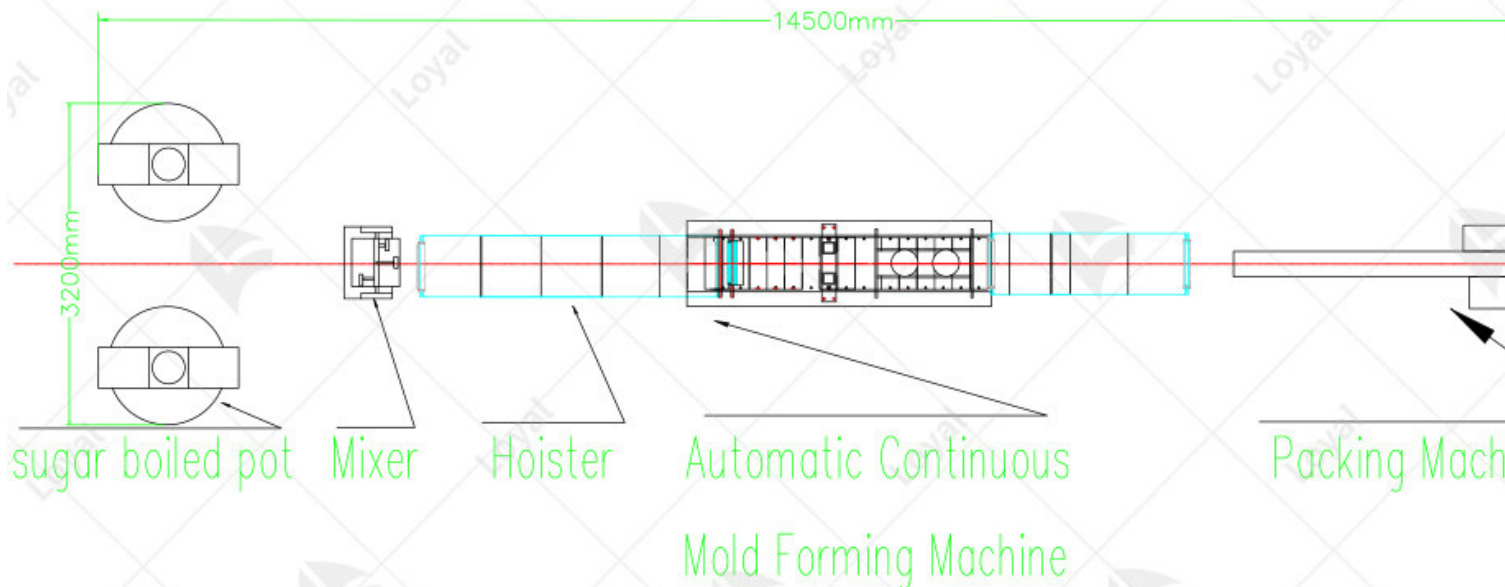
Energy Bar Machine Operation and Maintenance

Proper operation and maintenance of an Energy Bar Making Machine are essential for ensuring optimal performance and longevity. To begin with, it is crucial to follow the manufacturer's instructions for setup and operation. This includes calibrating the machine accurately and setting parameters according to the specific recipe and desired output.

Regular cleaning and sanitation are vital to prevent contamination and ensure food safety. After each production run, the Energy Bar Making Machine should be thoroughly cleaned to remove any residue or buildup. This not only maintains hygiene but also prevents any potential malfunction caused by clogging or ingredient accumulation.

Routine maintenance is another critical aspect. This involves checking and replacing worn-out lubricating moving components, and inspecting the machine for any signs of damage or wear. Scheduling regular maintenance checks can help identify and address issues before they escalate, thereby reducing the risk of unexpected breakdowns and costly repairs.

Training operators and maintenance staff is also essential. Ensuring that all personnel are well-versed in the machine's operation and maintenance procedures can enhance efficiency and prevent errors. Regular training sessions can also update staff on any new features or updates to the Energy Bar Making Machine, ensuring that they are equipped to handle the equipment effectively.



Cost Analysis of Energy Bar Making Machines

When evaluating the cost of an Energy Bar Making Machine, it's essential to consider the initial purchase price. Machines vary significantly in cost depending on their capacity, brand, and technological features. High-end machines, equipped with advanced automation and high production rates, tend to be more expensive. However, these machines often provide better long-term value due to their efficiency and lower labor costs.

Another crucial aspect of cost analysis is the operational expenses. These include the cost of electricity, maintenance, and spare parts. Energy-efficient machines, while possibly having a higher upfront cost, can save money over time due to lower energy consumption. Regular maintenance is also a significant factor, as well-maintained machines experience fewer breakdowns and have a longer lifespan.

Labor costs must also be considered. Advanced Energy Bar Making Machines often require fewer operators, reducing labor costs. Training for operators should also be factored in, as machines with complex controls might require specialized training. Choosing a machine that balances automation and ease of use can optimize labor efficiency.

Lastly, consider the potential for scalability. Investing in a more expensive Energy Bar Making Machine that can handle increased production as demand grows can be more cost-effective in the long run. This avoids the need for a complete upgrade or purchasing additional machines as your business expands.



Innovations in Energy Bar Production Technology

Recent years have seen remarkable innovations in Energy Bar Making Machines. One significant advancement is the integration of IoT (Internet of Things) technology. This allows for real-time monitoring and control of the production process, improving efficiency and reducing downtime. Smart-enabled machines can alert operators to potential issues before they become major problems, ensuring consistent production quality.

Automation is another area where significant strides have been made. Modern Energy Bar Making Machines often include automated mixing, forming, and packaging processes. This reduces the need for manual intervention, speeds up production, and minimizes human error. Automation also allows for more precise control over ingredient ratios and bar sizes, ensuring uniformity in every batch. The use of advanced materials and design improvements has also enhanced machine durability and hygiene. Stainless steel and food-grade materials are now standard, ensuring compliance with stringent food safety regulations. Enhanced cleaning systems, such as CIP (Clean-in-Place) technology, make it easier to maintain hygiene standards without extensive manual cleaning. Energy efficiency has become a crucial focus, with manufacturers designing machines that consume less power without compromising performance. Innovations such as variable speed drives and energy recovery systems contribute to reducing the environmental footprint and operational costs of Energy Bar Making Machines.



How to Choose the Right Energy Bar Machine

Choosing the right Energy Bar Making Machine requires careful consideration of several factors. First, assess your production needs, including the desired output volume and bar size variations. Machines come in different capacities, so it's essential to select one that can meet your production demands without frequent overhauls or upgrades.

Consider the level of automation you require. Fully automated Energy Bar Making Machines offer significant efficiency benefits but come at a higher cost. If budget constraints are a concern, semi-automated machines can be a viable alternative, offering a balance between cost and automation. Evaluate the machine's compatibility with your ingredients and formulations. Some machines are better suited for specific types of energy bars, whether they are protein-rich, fiber-heavy, or include various inclusions like nuts and dried fruits. Ensure the machine you choose can handle your recipes without compromising quality.

Finally, consider the manufacturer's reputation and after-sales support. A reliable manufacturer with good customer support can provide valuable assistance with installation, training, and maintenance. Check for warranties and the availability of spare parts to avoid extended downtime and ensure the longevity of your Energy Bar Making Machine.



Optimizing Production with Energy Bar Machines

Energy Bar Making Machines have revolutionized the food processing industry, offering unparalleled efficiency and consistency in production. These machines are designed to handle various ingredients and formulations, ensuring that each energy bar is uniform in size, shape, and texture. By automating the mixing, forming, and packaging processes, manufacturers can significantly reduce labor costs and minimize human error. This not only enhances the overall quality of the energy bars but also boosts production capacity, allowing companies to meet increasing consumer demand.

Another key advantage of using Energy Bar Making Machines is their ability to maintain strict hygiene standards. The machines are constructed from high-grade stainless steel, which is resistant to corrosion and easy to clean. This ensures that the production environment remains sanitary, reducing the risk of contamination. Additionally, many machines come equipped with features such as automatic cleaning and sterilization systems, further streamlining the maintenance process and ensuring compliance with food safety regulations.

Energy Bar Making Machines also offer flexibility in production. They can be easily adjusted to accommodate different recipes and ingredient combinations, allowing manufacturers to create a wide range of energy bar varieties. This adaptability is crucial in today's market, where consumers seek diverse and innovative products. By investing in versatile machinery, companies can quickly respond to changing trends and preferences, staying ahead of the competition.

Moreover, the integration of advanced technology in Energy Bar Making Machines has led to significant improvements in production efficiency. Features such as programmable logic controllers (PLCs) and touch-screen interfaces enable precise control over the manufacturing process. These technologies allow operators to monitor and adjust parameters in real-time, optimizing performance and minimizing downtime. Consequently, manufacturers can achieve higher throughput and lower operational costs, maximizing their return on investment.



Future Trends in Energy Bar Manufacturing Equipment

As the demand for energy bars continues to grow, the future of Energy Bar Making Machines is promising, with several trends shaping the industry. One of the most significant trends is the increasing emphasis on automation and smart technology. Advanced sensors, artificial intelligence, and machine learning algorithms are being integrated into these machines, enabling predictive maintenance, real-time quality control, and enhanced operational efficiency. These innovations not only improve the reliability of the equipment but also reduce the need for manual intervention, allowing for more streamlined and cost-effective production processes.

Sustainability is another major trend influencing the development of Energy Bar Making Machines. Manufacturers are increasingly seeking eco-friendly solutions to reduce their environmental impact. This includes the use of energy-efficient components, recyclable materials, and waste-reduction technologies. By adopting sustainable practices, companies can not only lower their carbon footprint but also appeal to environmentally-conscious consumers, gaining a competitive edge in the market.

Customization and personalization are also driving the evolution of Energy Bar Making Machines. Consumers are looking for products that cater to their specific dietary needs and preferences, prompting manufacturers to develop machinery capable of producing bespoke energy bars. This is leading to the creation of machines that offer greater flexibility in ingredient selection and processing techniques. As a result, manufacturers can produce a wide variety of energy bars, from high-protein and low-sugar options to vegan and gluten-free alternatives.

Finally, the integration of digital technologies and data analytics is transforming the energy bar manufacturing landscape. By leveraging big data, manufacturers can gain valuable insights into consumer preferences, production efficiency, and market trends. This information can be used to optimize the manufacturing process, improve product quality, and develop targeted marketing strategies. The future of Energy Bar Making Machines lies in their ability to harness the power of data, driving innovation and growth in the industry.



Reference

The following are five authoritative foreign literature websites in the field of Industrial food machinery:

1. Food Engineering Magazine

Website: <https://www.foodengineeringmag.com/>

2. Food Processing Magazine

Website: <https://www.foodprocessing.com/>

3. Journal of Food Engineering

Website: <https://www.journals.elsevier.com/journal-of-food-engineering>

4. Food Manufacturing Magazine

Website: <https://www.foodmanufacturing.com/>

5. International Journal of Food Science & Technology

Website: <https://onlinelibrary.wiley.com/>