

# Is the future of pet feed booming?

Introducción detallada :

Introduction

Pet Food Production LineDetail Introduction

Pet Food Production LineProcess Flow Chart

The Evolution of Pet Food Manufacturing Technology

The basic composition of the Dog treat manufacturing equipment :

The Detail Descriptions of ThePet Food Production Equipment

Sustainability Challenges and Innovative Solutions

Technical Parameter of thePet Food Processing Equipment

The Main Features and Functions ofPet Food Extrusion Equipment

Our products

What is the advantages of thepet food production equipment?

Features of Dog treat manufacturing equipment:

How Important is Dog Food?

Shapes of pet feed and fish feed:

If you want to know more story about LOYAL brand? here can help you -  
<https://www.facebook.com/Foodextruderfactory/>

Introduction

The pet food industry is undergoing a technological revolution, driven by advanced pet food production machines and their derivatives, such as pet food extruders . These innovations optimize production efficiency, ensure consistent quality, and address growing demand for sustainable practices. This article explores how modern [pet food production equipment](#) transforms raw ingredients into nutritious meals while tackling industry challenges.

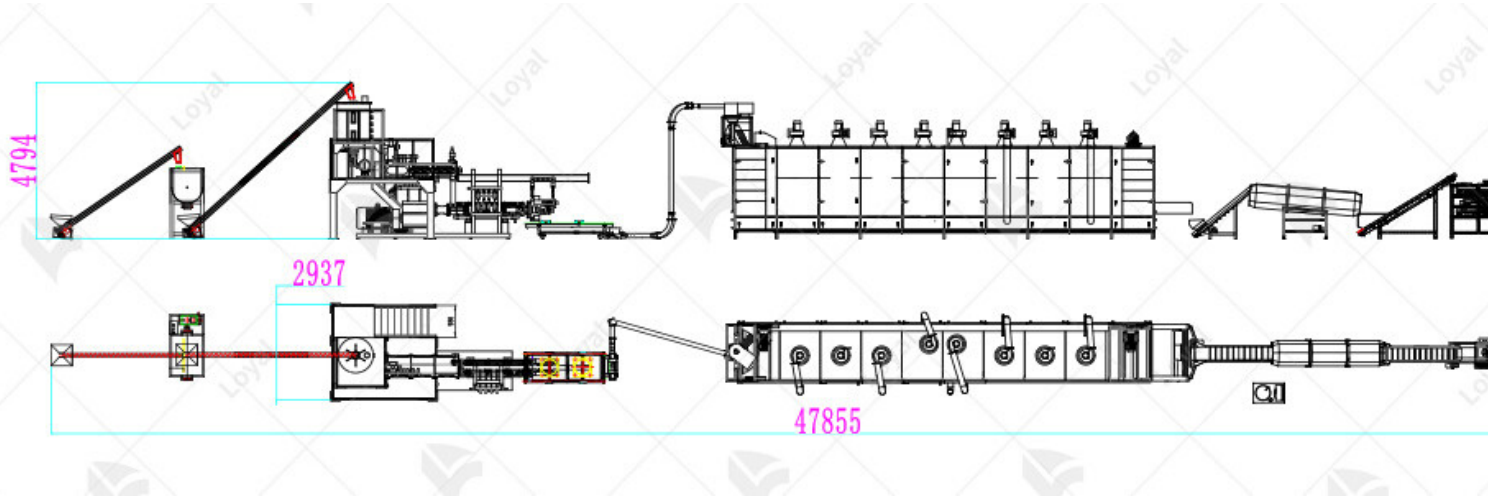
Pet Food Production Line Detail Introduction

The pet food production line is a new pet food production line successfully developed by Loyal pet food production technology team combined with years of experience in the development of twin-screw extruders. The most scientific nutritional ratio and easy digestion features to adapt to the ever-evolving pet food market. The technical advantages that Loyal pet food production process team has achieved over the years in the puffing extrusion are fully reflected in the pet food production line. The dog food production line is simple to operate and easy to learn, thus ensuring that the product is done at a specific temperature, pressure, humidity and time in pet food plant.

The reasonable structure design of the cat food production line, the special material, fast automatic cleaning performance ensure the stability of the machine and easy maintenance in pet food manufacturing process.

The floating fish feed production line adjusts the pet feed process parameters such as materials, temperature, moisture, etc., so that the pet food has the characteristics of novel shape, unique taste, rich nutrition and delicate organization, which is suitable for the different pets.

The floating fish feed pellet machine is also widely used in the production of dog, cat, and shrimp, fox, bird and various pet feeds. It is an ideal choice for different pet food manufacturers.



### Pet Food Production Line Process Flow Chart

Material Crushing ? Conveying ? Material Extruding By Twin-screw Feeding Extruder ? Shifting ? Conveying ? Drying Equipment (electric Furnace, Gas Fuel Oil Furnace Or Furnace) ? Oil Filling ? Double Drum Seasoning System ? Cooling Conveyor ? Packing Machine

Pet food production line production process Mixer? Feeder? Extruder? Air Convey Elevator? Multilayer Oven? Cooler? Fuel Injection Machine? Roller?? Elevator? Vibration Screen??( Packing Machine)With the continuous increase of the types of pets, all kinds of pets are different from adults and children, and the requirements for pet food are also constantly increasing.Loyal has researched and developed various types of pet food production lines according to the market demand of pet food. According to the different output, the pet food manufacturing equipment also has various configurations.The pet food processing machine can adjust the raw materials, temperature, moisture and other parameters, so that the product has the characteristics of novel shape, unique taste, rich nutrition and delicate organization, which is suitable for the taste of different pets. This pet food processing equipment is widely used in the production of dog, cat, fish and shrimp, bird and various pet feeds, and is an ideal choice for different pet food manufacturers.1.Mixer -- Raw material preparation: The raw materials of meat, fish meal, cornmeal, and other materials for the production of pet feed are transported to the pet food factory. Then they are transported to the cleaning machine to remove impurities and stored in the storeroom in pet food plant. 2. Pet food Grinding Machine: Some r

materials need to be ground to a certain targeted powder by a grinder before processing. And different animals are suited to different levels of fruity feed.

3. Feeder -- The ingredients: According to the feed formula, quantitative weighing is necessary to detect a variety of feed ingredients. The machine is controlled by the central control panel with precision, and it's very easy to operate, so the data got is very precise with little error.
4. Mixing machine -- Mixing ? According to the different output of the production line, choose different types of mixing machine. There are two main models for you to choose. Ingredients are mixed in a mixer, and the mixing time depends on the feed formulation and feed composition.
5. Pet Food Extruder Machine -- Granulating: According to the output of the production line, different types of Loyal extruders are selected. The output can range from 20kg/h to 1000kg/h. Corn meal, grain meal, bone meal, meat meal, etc. can be used as raw materials. The specific product shape is determined by the feed composition. Add the mixed feed to the pelletizer, and form pellets by several steps:
  - a. Firstly, pouring the mixed ingredients into the feeder, then put them into the granulator but control the speed.
  - b. The dry mixture and added steam are mixed in a mixer and then transported to the granulation chamber by gravity or forced feeding system.
  - c. In the pelletizing chamber, the mixed pet food material will be pushed through the pelletizer mold to become its target.
6. Multi-layer oven: Most of the ovens are electric ovens. The temperature is adjusted between 0-200 degrees through the control cabinet. The contact part with the material is a stainless steel double-layer mesh bag. The baking time can be adjusted according to the speed.
- 6, cooling and screening: The produced feed needs to be sent to the conveyor cooler, and after cooling, it becomes firm and dense while the pellets flow directly into the screwdriver.
- Seasoning line: there are octagonal, cylindrical, single-drum, and double-drum seasoning lines, which are configured according to the output and product properties.
7. Packing: The finished pet feed needs to be packaged before it can be marketed.

## The Evolution of Pet Food Manufacturing Technology

Gone are the days of manual mixing and rudimentary processing. Today's pet food manufacturing machines integrate cutting-edge extrusion, drying, and coating technologies. High-speed mixers blend proteins, grains, and vitamins with precision, while twin-screw extruders create kibble textures tailored to pets' dietary needs. For example, pet food extruders enable customization for hypoallergenic or grain-free formulas, catering to niche markets. Such advancements not only boost output but also reduce human error, ensuring every batch meets strict nutritional standards.

The basic composition of the Dog treat manufacturing equipment :

Mixer: Mix the used corn flour, wheat flour, soybean meal, rice bran, wheat bran, fish meal, bone meal, and other raw materials evenly.

Screw conveyor: the raw materials are conveyed to the twin-screw extruder in the conveying at various angles.

Twin-screw extruder: Extrude and expand the raw materials, change the production parameters, change the mold, and process and produce various shapes of dog food, such as heart-shaped, and bone-shaped.

Air conveyor: transport the prepared dog food to the dryer.

Dryer: High-temperature drying quickly removes excess water and prolongs the shelf life of dog food.

Air conveyor: convey the dried dog food to the seasoning line.

Seasoning line: modulate dog food into different flavors, such as chicken flavor, beef flavor, etc., to make the palatability of dog food better.

Cooling line: Quickly cool dog food to prevent it from being damp and soft when packed at high temperatures.

Packing machine: packing dog food.



## The Detail Descriptions of The Pet Food Production Equipment

No.	Item	Detail descriptions of the pet food machine
1	Raw materials	Corn powder, bone powder, meat meal, fish meal, soya meal and other grains' powder, etc.
2	Consumption	Low power and labor consumption
3	Capacity	100-150kg/h, 150-200kg/h, 200-300kg/h, 300-500kg/h, 500-1000kg/h, 1000kg/h-1200kg/h
4	Machine material	Stainless steel
5	Products	This line can produce various taste pet food, and the raw materials can be extruded into various shapes by the mold by adjusting the parameters.

## Sustainability Challenges and Innovative Solutions

From extrusion to eco-innovation, pet food production equipment is reshaping how we nourish pets. As intelligent monitoring tools become mainstream, the focus shifts to harmonizing productivity with planetary health. For manufacturers, investing in next-generation food making machines isn't just a business strategy—it's a commitment to safer, smarter and more sustainable animal nutrition.

## Technical Parameter of the Pet Food Processing Equipment

### Technical Parameter

Model	Extruder Power	Output	Dimension
LY 65	33kw	120-150kg/h	2500*930*1850mm
LY 70	44kw	200-250kg/h	3000*850*1300mm
LY 85	93KW	400-500kg/h	4200*900*2200mm
LY 95	124KW	1000-1200kg/h	5500×2400×3200mm



The Main Features and Functions of Pet Food Extrusion Equipment

Features	Use advanced frequency control skills, stable work and less power consumption.
	Automatic heating control system, easy to work and more accurate parameters.
	The equipment is equipped with a water circulation temperature control system.
	The equipment feeding motor, host motor, and rotary cutting motor all adopt frequency conversion speed regulation.
Functions	Series of double-screw extruder mainly consist of feeding system, extruding system, cutting system, heating system, lubricating system and controlling system.
	Feeding system, extruding system and cutting system all adopt frequency conversion timing to gain powerful drive, stable perform, and electricity saving.
	Screw are made of alloy and processed by special technique to possess high intensity, abrasion resistant and longer using life.
	It adopts advanced screw extrusion technology and uses high temperature and high pressure to mature and expand the material into one-time completion.

## Our products

Pet foods vary in various types and shapes to meet the nutritional needs and feeding preferences of different pets. The shape is usually granular, including round, bone, fish star, for easy storage and chewing. The diversity of shapes not only improves pets' appetite but also supports personalized feeding programs of different ages, body shapes and states.

## What is the advantages of the pet food production equipment?

Different types of machines can meet the needs of producing different kinds of food. Our machine adopts advanced frequency control technology, greatly reducing power consumption and manpower consumption.

We have famous partners like Siemens.

Our machine materials include food grade stainless steel SS304 and SS201.

Speed control converters are used in the feeding system, extrusion system and cutting system.

## Advantages of Pet Food & Treats Production Lines :

Made of 304 stainless steel, durable, not easy to wear and damage.

Adopting a fully automated production method, the production efficiency is very high, output is larger.

Using a PLC control system, easy to operate, workers can get started after simple training.

It can automatically adjust the temperature, moisture, and other process parameters. The usage method is very flexible, suitable for processing and producing various materials.

The dog food produced has a unique taste, novel appearance, rich nutrition, and excellent palatability.

The advantages of the dog food production line are very prominent. It has more benefits than traditional equipment. The dog food production line mainly goes through production processes of raw material mixing, screw conveying, extrusion, air cooling, drying, air conveying, seasoning, cooling, and packaging.

## Features of Dog treat manufacturing equipment:

Stable operation and advanced technology can meet the production needs of customers in the current market.

The design is reasonable, the performance is superior, the produced feed has good rich nutrition, and can meet the needs of animals.

The raw material, temperature, moisture, and other process parameters of the production equipment are adjustable, which is very convenient to use.

The manufacturing process of feed pellets, from the crushing of raw materials to the packaging of finished products, is completed at one time with a high degree of automation.

The performance of the whole machine and product quality have reached the advanced level, with high efficiency, low consumption, and convenient operation and maintenance characteristics.



## How Important is Dog Food?

Dog food has a very positive effect on the health of dogs. Dog food on the market is divided into two categories, one is commercial food and the other is natural food.

Commercial foods have added some additives, which have better palatability, and do

to eat more. Natural foods do not have any additives and the raw materials are also very healthy.

With the increase in the number of pet owners, the pet food industry has also become very profitable. Pet snacks, pet nutrition, dog food, and cat food have become the most profitable products in the pet industry. Nowadays, competition in the pet food industry is very fierce. Only by using equipment with outstanding performance can we win market recognition with high quality products.

Shapes of pet feed and fish feed:

- Granule type: spherical (microgranules for ornamental fish), formed by extrusion through a die.
- Flakes: flakes are suitable for small fish or turtles, softened by water.
- Blocks: compressed into bricks, used for long-term feeding in aquaculture.
- Special-shaped designs: bone-shaped dog food, star-shaped cat food, to increase pet interest in eating.

# Pet and Animal Food Samples



CWSL-01



CWSL-02



CWSL-03



CWSL-04



CWSL-05



CWSL-06



CWSL-07



CWSL-08



CWSL-09



CWSL-10



CWSL-11



CWSL-12



CWSL-13



CWSL-14



CWSL-15

